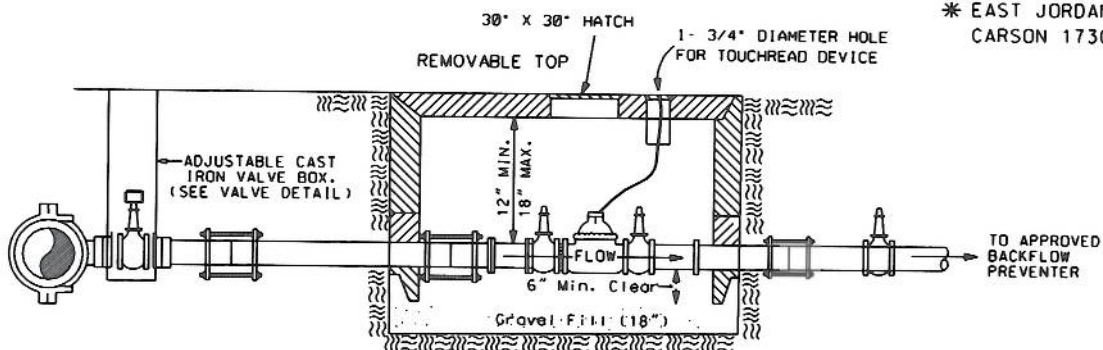


WATER METER	BOX SIZE I.D.	METER TYPE
1 1/2"	*	SENSUS TURBO W120 DRS ICE W/TRPL TOUCH READ
2"	*	SENSUS TURBO W160 DRS ICE W/TRPL TOUCH READ

* EAST JORDAN IRON WORKS
CARSON 1730-24



NOTES:

1. NO BYPASS REQUIRED.
2. SENSUS TURBO METER WITH BUILT IN STRAINER.
3. BOX SHOULD BE BEHIND CURB AND/OR WALK AND OUT OF VEHICULAR TRAFFIC AREA.
4. PIPE AND FITTINGS TO BE AS SHOWN.
5. TOP OF BOX MUST BE 1' ABOVE GROUND OR FLUSH WITH PAVEMENT SURFACE.
6. IF THE METER BOX IS SET AFTER THE METER IS INSTALLED, SIDE NOTCHES IN BOX TO BE FILLED WITH MORTAR AFTER INSTALLATION OF PIPE.
7. FOR APPROVED METER TYPE CALL THE WATER & WASTEWATER UTILITIES DEPT. @ 393-8010.
8. NO BENDS SHALL BE ANY CLOSER THAT 10 TIMES PIPE DIAMETER BEFORE METER.
9. ALL BENDS AND FITTINGS SHOWN NEED TO BE RESTRAINED.
10. PIPING MUST BE HORIZONTALLY CENTERED IN VAULT.
11. ALL FITTINGS ADDED TO BRING SERVICE TO GRADE SHALL BE C.I. AND RESTRAINED.

MATERIALS LIST

- A. APPROVED TAPPING SADDLE/SLEEVE.
- B. TAPPING VALVE (RESILIENT WEDGE GATE, IRON BODY FEMALE/FEMALE) WITH VALVE BOX.
- C. 2" SCH 80 PVC PIPE.
- D. 2" BRASS NIPPLES.
- E. SHUT OFF VALVE, BRASS BALL WITH LOCKING WING.
- F. METER STRAINER, FLANGED.
- G. 2" GALVANIZED NIPPLE.
- H. DRESSER AND BELL JOINT RESTRAINTS.
- I. BRASS NIPPLE.

1 1/2" & 2" IRRIGATION METER SERVICE CONNECTION

The City of San Marcos
DEPARTMENT OF ENVIRONMENT & ENGINEERING

STANDARD DETAIL
N.T.S.

APPROVED BY:

SABAS AVILA, P.E., INTERIM DIRECTOR

6-04-08

DRAWING: T/DETAILS/W-WM1.5-2IRG.DGN