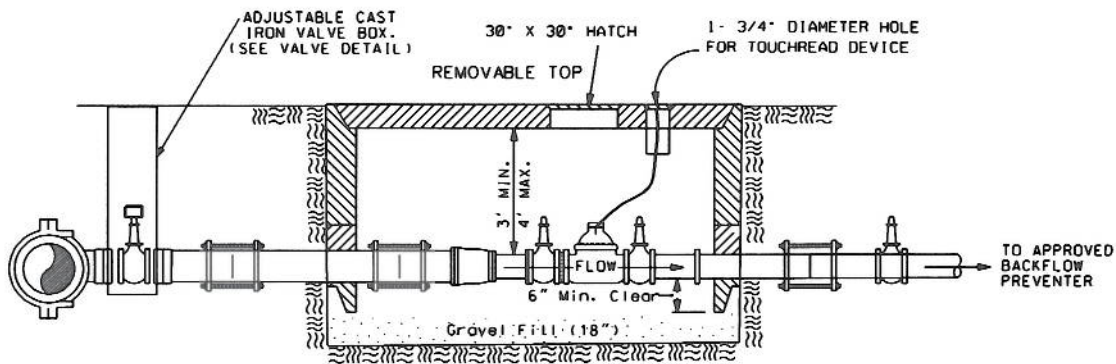


WATER METER	BOX SIZE I.D.	METER TYPE
1 1/2"	5' X 5' (OR AS APPROVED)	SENSUS SR 11 ICE W/TRPL TOUCH READ



MATERIALS LIST

- A. APPROVED TAPPING SADDLE/SLEEVE.
- B. TAPPING VALVE (RESILIENT WEDGE GATE, IRON BODY FEMALE/FEMALE) WITH VALVE BOX
- C. SCH 80 PVC PIPE.
- D. 1 1/2" BRASS FEMALE/FEMALE TEE
- E. 1 1/2" BRASS FEMALE/FEMALE 90
- F. 1 1/2" BRASS NIPPLES
- H. 1 1/2" BRONZE BALL VALVE WITH LOCK WINGS.
- I. SHUT OFF VALVE. 1 1/2" BRONZE BALL WITH LOCKING WING
- J. 1 1/2" METER STRAINER. FLANGED
- K. GALVINIZED NIPPLE
- L. DRESSER AND BELL JOINT RESTRAINTS
- M. CAST IRON 1 1/2" BOLT DRESSER
- N. 1 1/2" BRASS NIPPLE
- O. 2" X 1 1/2" BRASS BELL REDUCER
- ICE SENSUS TOUCH READ DEVICE TO READ TO 100 GAL.

NOTES:

1. BOX SHOULD BE BEHIND CURB AND/OR WALK AND OUT OF VEHICULAR TRAFFIC AREA.
2. PIPE AND FITTINGS TO BE AS SHOWN.
3. TOP OF BOX MUST BE 1" ABOVE GROUND OR FLUSH WITH PAVEMENT SURFACE.
4. IF THE METER BOX IS SET AFTER THE METER IS INSTALLED, SIDE NOTCHES IN BOX TO BE FILLED WITH MORTAR AFTER INSTALLATION OF PIPE.
5. FOR APPROVED METER TYPE CALL THE WATER & WASTEWATER UTILITIES DEPT. @ 393-8010.
6. NO BENDS SHALL BE ANY CLOSER THAT 10 TIMES PIPE DIAMETER BEFORE METER.
7. ALL BENDS AND FITTINGS SHOWN ARE TO BE RESTRAINED.
8. PIPING MUST BE HORIZONTALLY CENTERED IN VAULT.
9. ALL FITTINGS ADDED TO BRING SERVICE TO GRADE SHALL BE C.I. AND RESTRAINED.

1 1/2" DOMESTIC METER SERVICE CONNECTION WITH BYPASS

The City of San Marcos
DEPARTMENT OF ENVIRONMENT & ENGINEERING

STANDARD DETAIL
N.T.S.

APPROVED BY:

SABAS AVILA, P.E., INTERIM DIRECTOR

6-04-08

DRAWING: T/DETAILS/W-WM1.5DOM.DGN