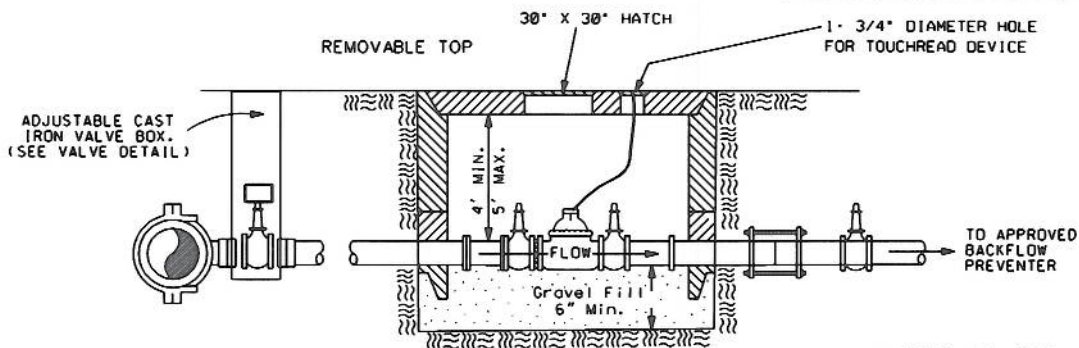


WATER METER	BOX SIZE I.D.	METER TYPE
3"	5' X 7' (OR AS APPROVED)	SENSUS COMPOUND ICE W/TRPL TOUCH READ
4"	5' X 7' (OR AS APPROVED)	SENSUS COMPOUND ICE W/TRPL TOUCH READ
6"	5' X 7' (OR AS APPROVED)	SENSUS COMPOUND ICE W/TRPL TOUCH READ



MATERIALS LIST

- A. APPROVED STAINLESS STEEL MJ TAPPING SLEEVE.
- B. VALVE (RESILIENT WEDGE GATE, IRON BODY MJ X MJ) WITH VALVE BOX.
- C. 3" DUCTILE IRON OR SCH 80 PVC, 4" OR 6" C900 DR14
- D. DUCTILE IRON TEE - MJ
- E. FEMALE IRON PIPE QUARTER BEND COUPLINGS, MJ/ WITH RESTRAINTS
- F. C900/ C909 PVC.
- G. RESTRAINTS.
- H. RESILIENT WEDGE GATE VALVE, MJ, WHEEL HANDLE.
- I. SHUT OFF VALVE, RESILIENT WEDGE GATE, FLANGE X M.J.
- J. METER STRAINER, FLANGED.
- K. CI DRESSER, RESTRAINED.
- L. FLANGED DRESSER ADAPTER.
- ICE SENSUS TOUCH READ DEVICE TO READ TO 100 GAL.

NOTES:

1. BOX SHOULD BE BEHIND CURB AND/OR WALK AND OUT OF VEHICULAR TRAFFIC AREA.
2. PIPE AND FITTINGS TO BE DUCTILE IRON OR CAST IRON EXCEPT AS NOTED.
3. TOP OF BOX MUST BE 1" ABOVE GROUND OR FLUSH WITH PAVEMENT SURFACE.
4. IF THE METER BOX IS SET AFTER THE METER IS INSTALLED, SIDE NOTCHES IN BOX TO BE FILLED WITH MORTAR AFTER INSTALLATION OF PIPE.
5. FOR APPROVED METER TYPE CALL THE WATER & WASTEWATER UTILITIES DEPT. @ 393-8010.
6. ALL BENDS AND FITTINGS SHOWN NEED TO BE RESTRAINED.
7. NO BENDS MAY BE ANY CLOSER THAN 10 TIMES PIPE DIAMETER BEFORE METER.
8. CENTER METER AND BYPASS IN VAULT.
9. BYPASS SHALL BE SAME SIZE AS SERVICE LINE.

3", 4" & 6" DOMESTIC METER SERVICE CONNECTION WITH BYPASS

The City of San Marcos
DEPARTMENT OF ENVIRONMENT & ENGINEERING

STANDARD DETAIL
N.T.S.

APPROVED BY:

SABAS AVILA, P.E., INTERIM DIRECTOR

DATE

DRAWING: T/DETAILS/W-WM3-6DOM 04-08.DGN