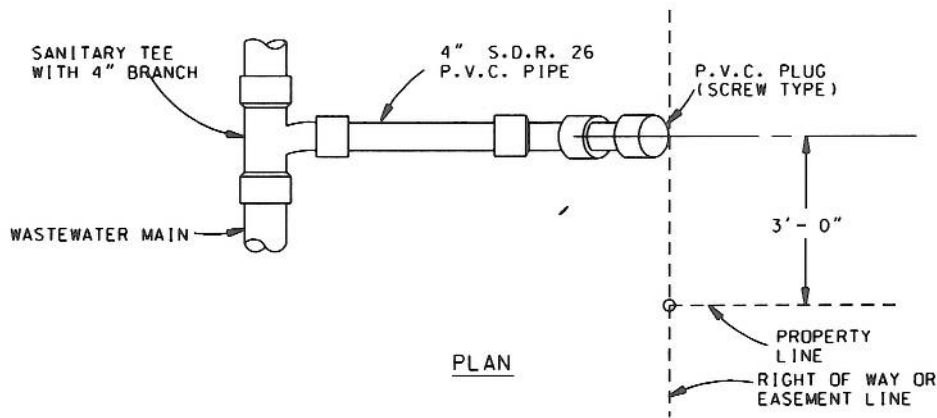


ELEVATION



PLAN

# SINGLE SERVICE CONNECTION

The City of San Marcos  
DEPARTMENT OF ENVIRONMENT & ENGINEERING

STANDARD DETAIL  
N.T.S.

APPROVED BY:

SABAS AVILA, P.E., INTERIM DIRECTOR

DATE

DRAWING: T/DETAILS/WW-SESING 04-08.DGN