

**EJIW EAST JORDAN**  
 IRON WORKS EST. 1883  
 800-626-4653  
 WWW.EJIW.COM  
 MADE IN USA

PRODUCT NUMBER  
**48502001**

CATALOG NUMBER

**V-8502**

**V-8502**

**ASSEMBLY**

LOAD RATING

**NON-TRAFFIC**

COATING

**UNDIPPED**

MATERIAL SPECIFICATI

COVER - GRAY IRON  
 ASTM A48 CL35B

RING - GRAY IRON  
 ASTM A48 CL35B

OPEN AREA

N/A

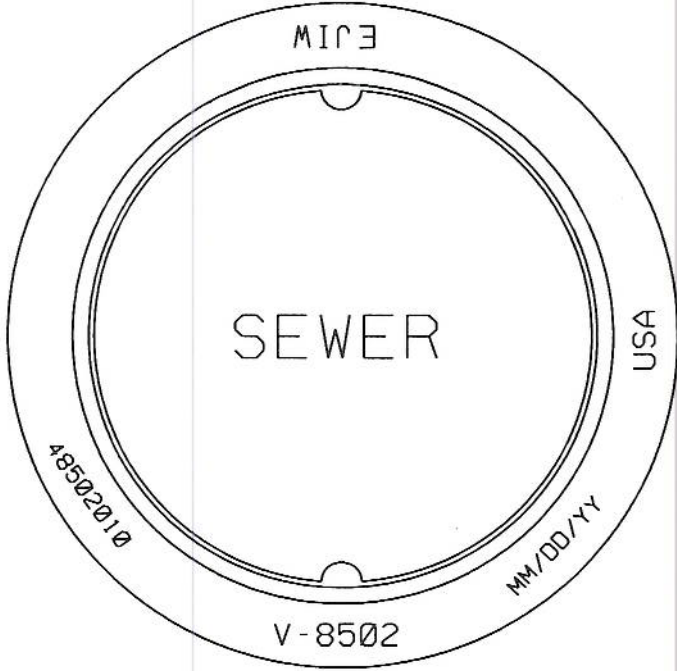
✓ DESIGNATES MACHINED SURFACE

DRAWN DATE  
 DEW 12/10/02

LAST REVISED DATE  
 JJD 06/11/08

REFERENCE INFORMATION

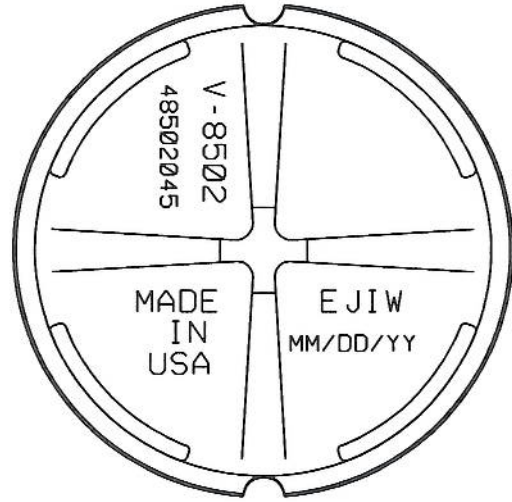
48502010  
 48502045



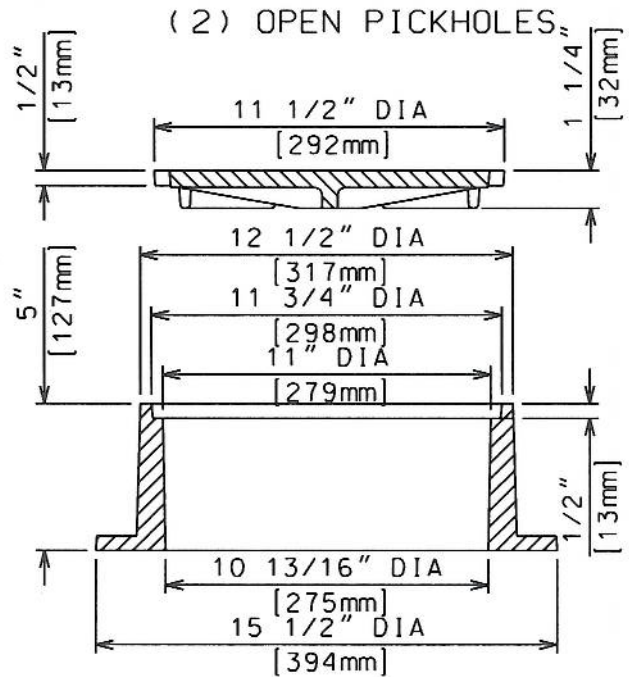
PLAN VIEW



COVER SECTION



COVER BACK



RING SECTION

The City of San Marcos  
 DEPARTMENT OF ENVIRONMENT & ENGINEERING

**STANDARD DETAIL**

N.T.S.

APPROVED BY:

*Kathryn Woodlee*

KATHRYN WOODLEE, P.E.

06-19-09

DRAWING: T/DETAILS/CLEANOUT COVER.DGN