

NOTES:

1. A BLUE REFLECTIVE PAVEMENT MARKER MUST BE PLACED WITH EVERY FIRE HYDRANT ADJACENT TO A ROADWAY.
2. BLUE REFLECTIVE PAVEMENT MARKERS WILL BE INSTALLED IN THE ROADWAY 6-10" OFFSET FROM THE ROADWAY CENTERLINE ON THE FIRE HYDRANT SIDE.
3. FIRE HYDRANT LEAD BEDDING PER TRENCH DETAIL.
- *4. SEE SHEET W-DISINSAMPPOINT.DGN FH, SHEET 2 OF 2 FOR DISINFECTION SAMPLE PORT DETAIL.

DISINFECTION SAMPLE PORT FOR FIRE HYDRANT

SHEET 1 OF 2

The City of San Marcos
DEPARTMENT OF ENVIRONMENT & ENGINEERING

APPROVED BY:

Kathryn Woodlee
KATHRYN WOODLEE, P.E.

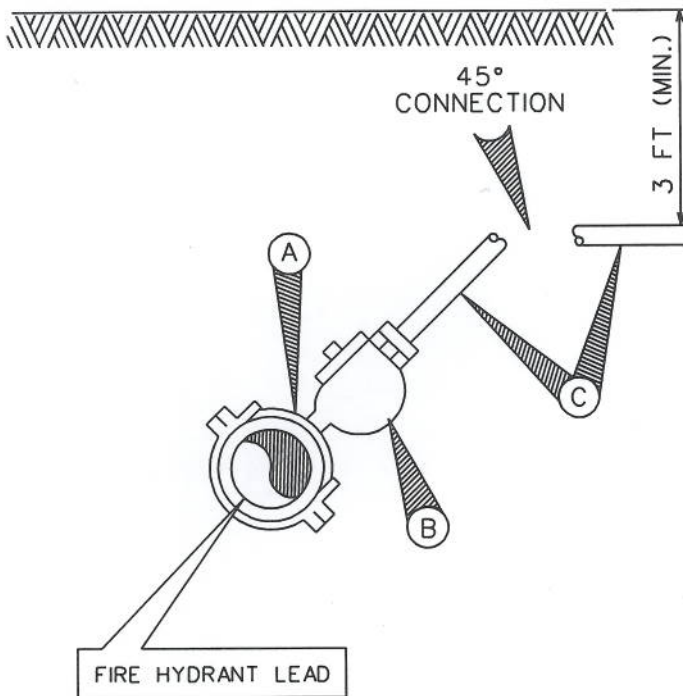
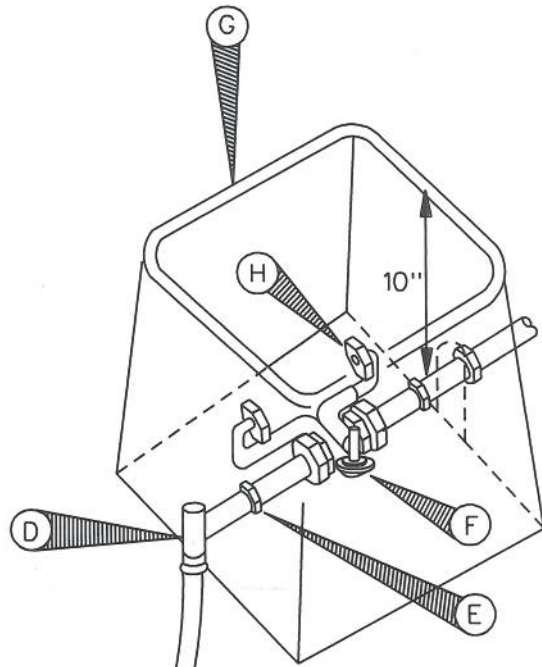
STANDARD DETAIL
N.T.S.

1-09-09

DRAWING: T/DETAILS/W-FIREHYDRANT W DSP.DGN

MATERIALS LIST

- A. SERVICE SADDLE - REQUIRED ON PLASTIC PIPE AND IRON PIPE
- B. CORPORATION STOP (COMPRESSION-TYPE FITTING).
- C. 1" TYPE K COPPER TUBING (SEE TABLE).
- D. ANGLE METER STOP WITH PADLOCK WING. (COMPRESSION-TYPE FITTING).
- E. WATER METER COUPLING - CONNECTION SWIVEL AND NUT.
- F. "ALL-IN" ONE" SAMPLING STATION MODEL 1500 AS MANUFACTURED BY WATER PLUS CORPORATION
- G. SINGLE METER BOX AND CAST IRON READER LID ENGINEER APPROVED
- H. IF METER NOT IDENTIFIED FOR INSTALLATION CAPS REQUIRED AT WATER METER COUPLING CONNECTIONS.



NOTES:

1. SERVICE SADDLES SHALL BE WRAPPED COMPLETELY WITH 8 MIL. POLYETHYLENE FILM.
2. TOP OF BOXES SHALL BE 1" ABOVE GROUND OR FLUSH WITH PAVEMENT SURFACE.
3. PIPING AND TUBING SHALL BE BEDDED IN GRANULAR MATERIALS 3' MIN. COVER AS REQUIRED IN THE SPECIFICATIONS.

SERVICE SIZE	ANGLE METER STOP SIZE
1"	1" x 3/4"

DISINFECTION SAMPLE PORT FOR FIRE HYDRANT

SHEET 2 OF 2

<p><i>The City of San Marcos</i> DEPARTMENT OF ENVIRONMENT & ENGINEERING</p> <p>STANDARD DETAIL N.T.S.</p>	<p>APPROVED BY: <i>Kathryn Woodlee</i></p>
	<p>KATHRYN WOODLEE, P.E. 1-09-09</p> <p>DRAWING: T/DETAILS/W-DISINSAMPPORT FH.DGN</p>