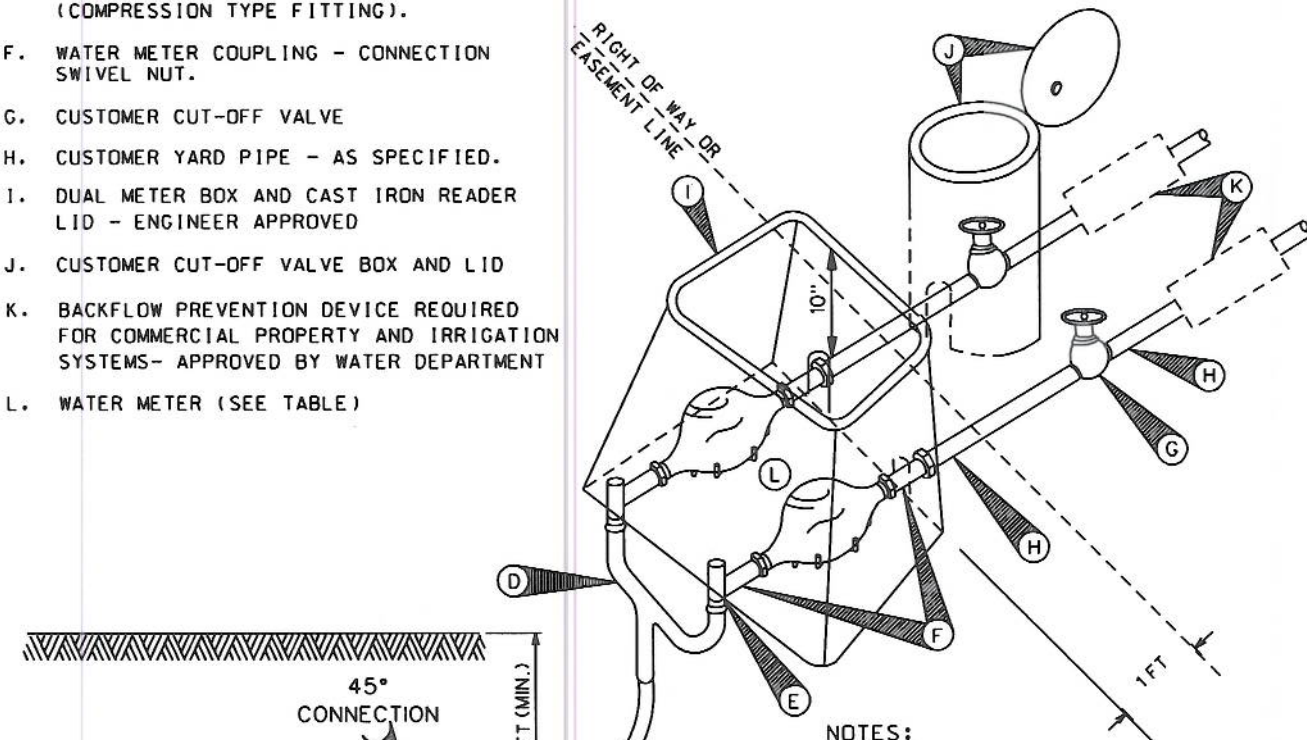


MATERIALS LIST

- A. SERVICE SADDLE REQUIRED
- B. CORPORATION STOP (COMPRESSION-TYPE FITTING).
- C. 1" TYPE K COPPER TUBING.
- D. "U" BRANCH CONNECTION (COMPRESSION-TYPE FITTING).
- E. ANGLE METER STOP WITH PADLOCK WING. (COMPRESSION TYPE FITTING).
- F. WATER METER COUPLING - CONNECTION SWIVEL NUT.
- G. CUSTOMER CUT-OFF VALVE
- H. CUSTOMER YARD PIPE - AS SPECIFIED.
- I. DUAL METER BOX AND CAST IRON READER LID - ENGINEER APPROVED
- J. CUSTOMER CUT-OFF VALVE BOX AND LID
- K. BACKFLOW PREVENTION DEVICE REQUIRED FOR COMMERCIAL PROPERTY AND IRRIGATION SYSTEMS- APPROVED BY WATER DEPARTMENT
- L. WATER METER (SEE TABLE)




- NOTES:**
1. SERVICE SADDLES SHALL BE WRAPPED COMPLETELY WITH 8 MIL. POLYETHYLENE FILM.
 2. TOP OF BOXES SHALL BE 1" ABOVE GROUND OR FLUSH WITH PAVEMENT SURFACE.
 3. PIPING AND TUBING SHALL BE BEDDED IN GRANULAR MATERIALS AS REQUIRED IN THE SPECIFICATIONS.
 4. METERS TO BE SUPPLIED BY CONTRACTOR FOR COMMERCIAL ACCOUNTS.

SERVICE SIZE	ANGLE METER STOP SIZE	METER SIZE	METER TYPE
1"	1" x 3/4"	5/8" x 3/4"	SENSUS SR II ICE W/TRPL TOUCH READ
1"	1" x 3/4"	3/4"	SENSUS SR II ICE W/TRPL TOUCH READ
1"	1" x 1"	1"	SENSUS SR II ICE W/TRPL TOUCH READ

5/8", 3/4", & 1" DUAL METER SERVICE CONNECTION (IRRIGATION OR DOMESTIC)

The City of San Marcos
 DEPARTMENT OF ENVIRONMENT & ENGINEERING
STANDARD DETAIL
 N.T.S.

APPROVED BY:

 KATHRYN WOODLEE, P.E.
 06-19-09
 DRAWING: T/DETAILS/W-WMDUAL1.DGN