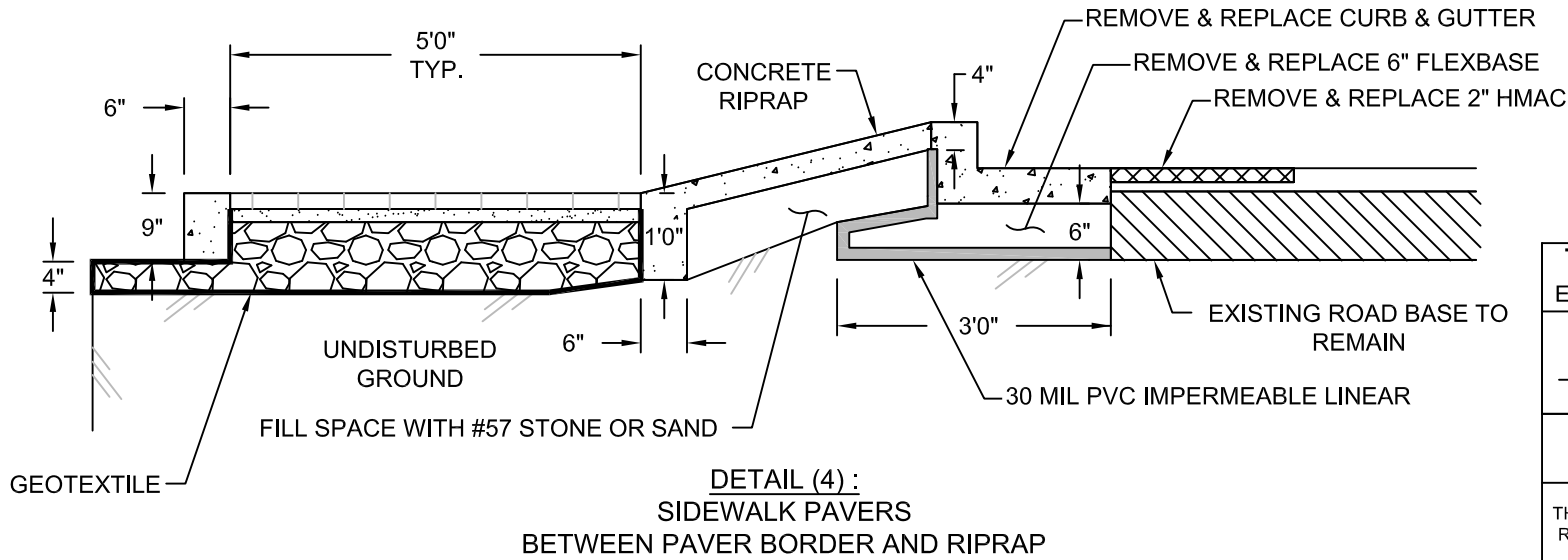
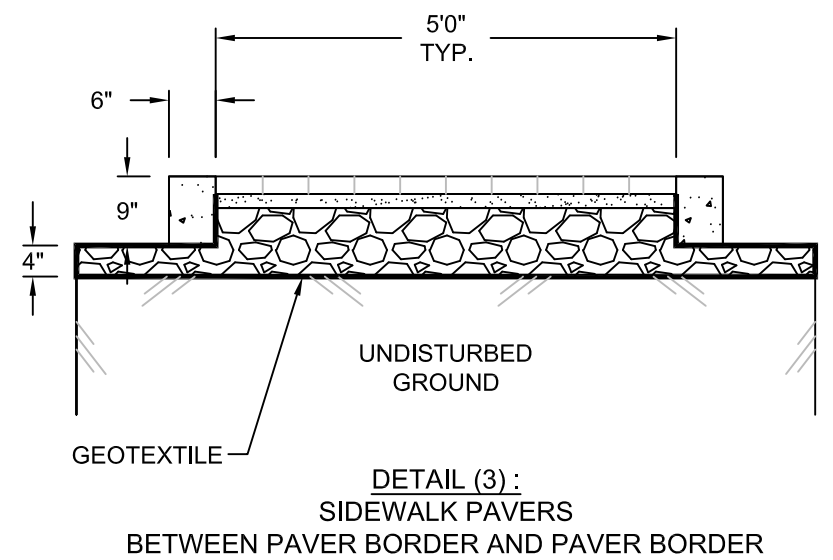
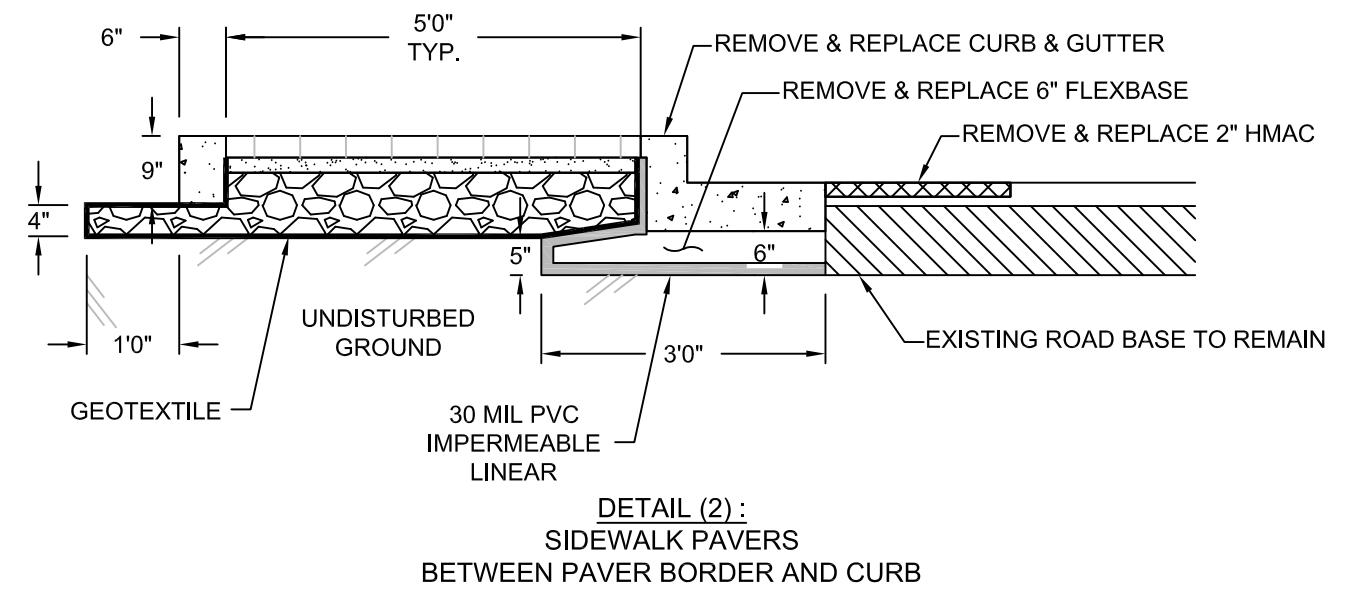
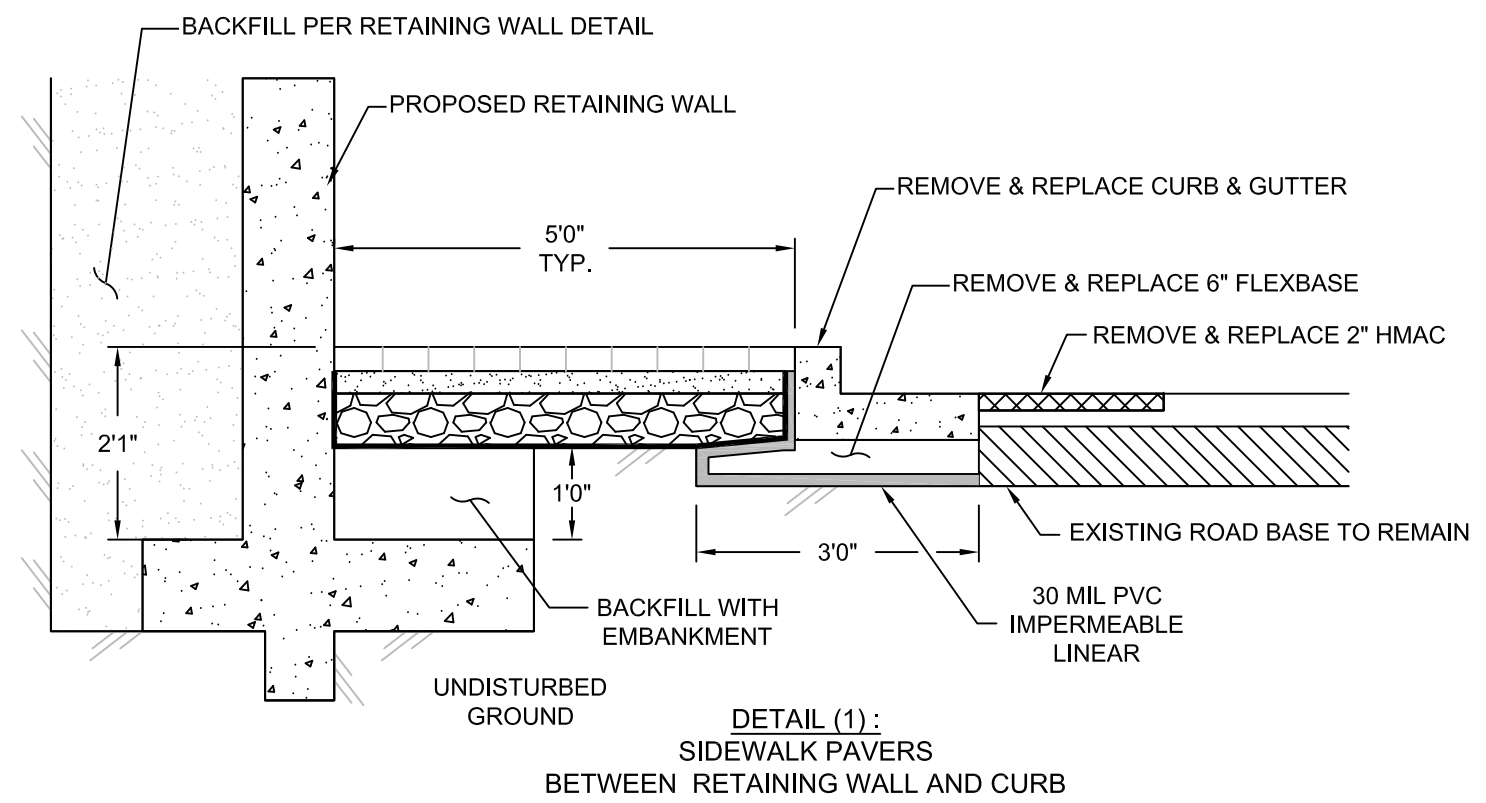
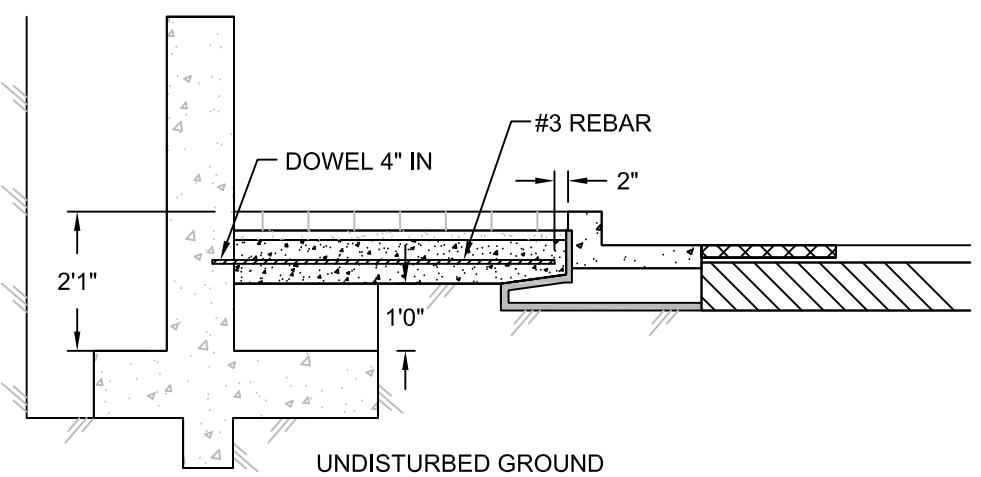
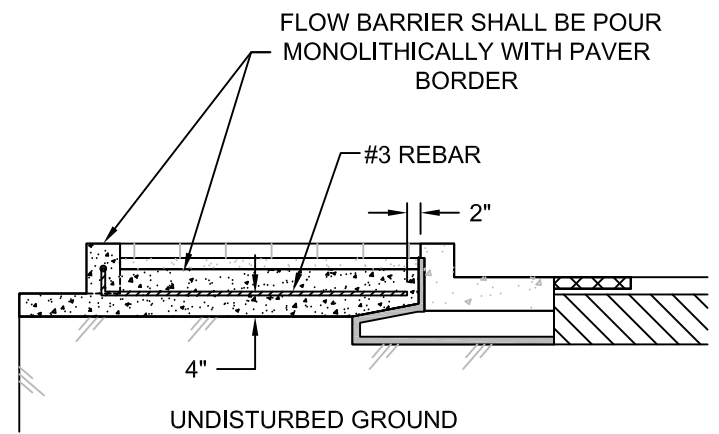
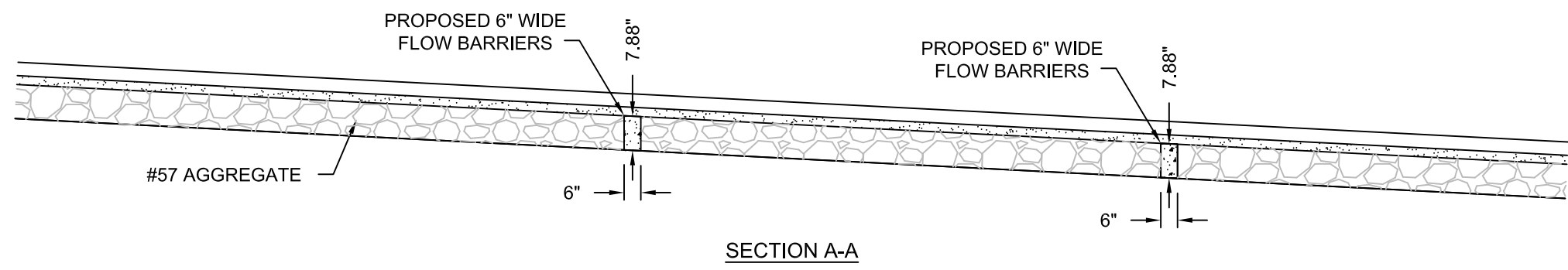
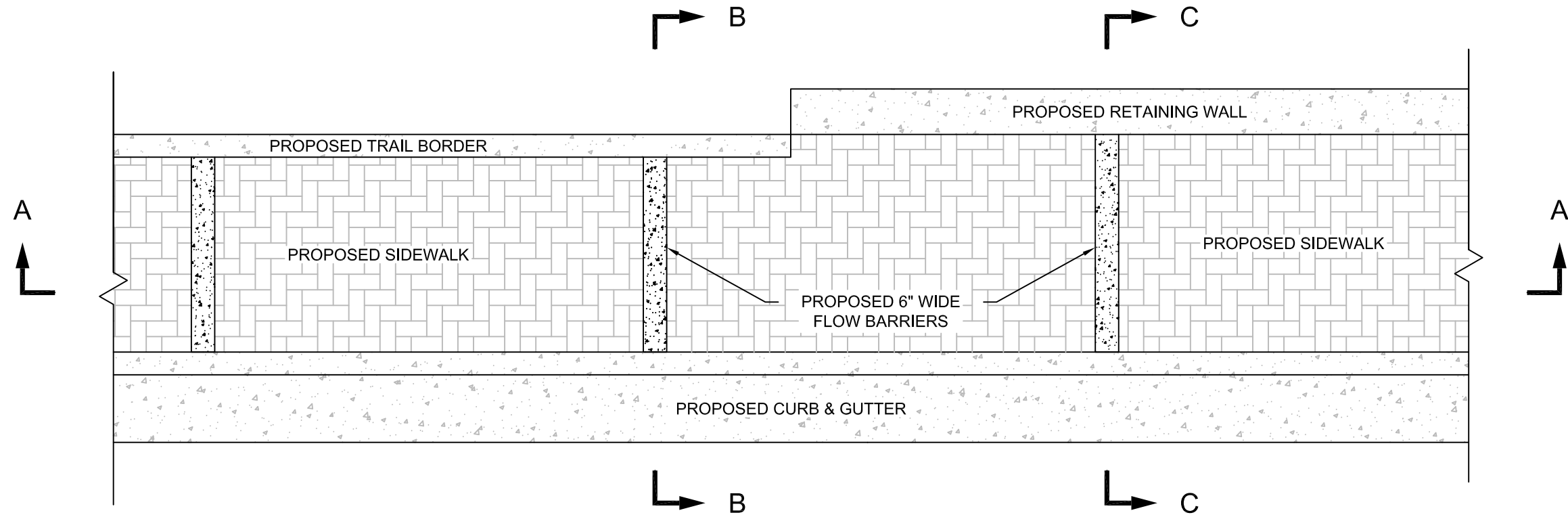


**NOTE:**

- #3 REBAR WILL BE CENTERED IN CONCRETE CURB PER DETAIL.
- CONTROL JOINT SHOULD BE TOOLED EVERY 10 FEET ALONG LENGTH OF TRAIL.
- CONSTRUCT 3/4" REDWOOD EXPANSION JOINTS AT MAXIMUM 40'-0" SPACING ALONG LENGTH OF TRAIL. EXPANSION JOINTS SHALL INCLUDE A SMOOTH DOWEL CENTERED IN CURB PLACED 6" FROM TOP AND BOTTOM AND 3" FROM EACH SIDE.



The City of San Marcos Engineering and Capital Improvements		CURRENT AS OF 1/1/2022
RECORD COPY SIGNED BY		1/1/2020
LAURIE MOYER, P.E.		ADOPTED
<b>SIDEWALK PAVERS</b>		
THE ARCHITECT/ENGINEER ASSUMES RESPONSIBILITY FOR APPROPRIATE USE OF THIS STANDARD.		STANDARD NO. <b>481S-PP-SM</b>
1 OF 2		



- NOTES:**
1. FLOW BARRIERS ARE SUBSIDIARY TO PAVER SIDEWALK PAY ITEM.
  2. FLOW BARRIERS SHALL BE PLACED EVERY 10 FT.
  3. REPLACE #57 STONE WITH CLASS A CONCRETE; AS SHOWN ON THIS SHEET.

The City of San Marcos Engineering and Capital Improvements		CURRENT AS OF 1/1/2022
RECORD COPY SIGNED BY LAURIE MOYER, P.E.		1/1/2020 ADOPTED
<b>SIDEWALK PAVERS</b>		
THE ARCHITECT/ENGINEER ASSUMES RESPONSIBILITY FOR APPROPRIATE USE OF THIS STANDARD.		STANDARD NO. <b>481S-PP-SM</b> 2 OF 2