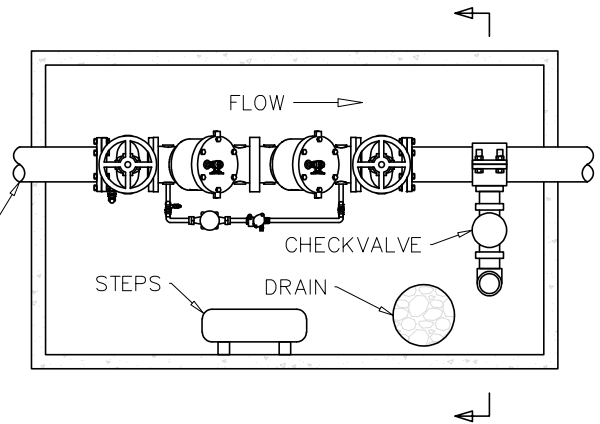
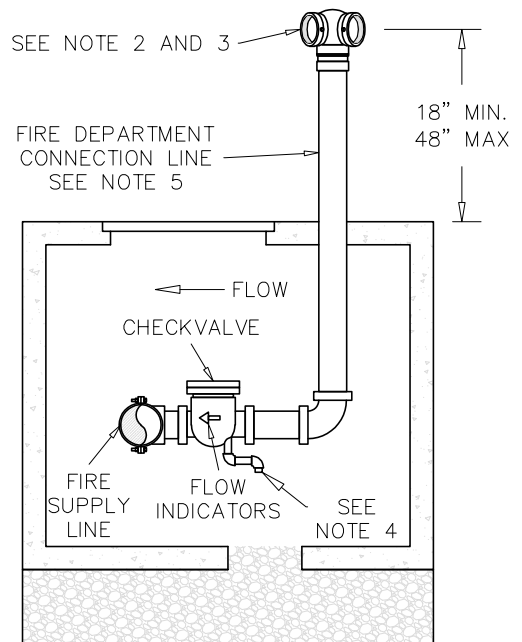


PROFILE VIEW



PLAN VIEW



**PROFILE VIEW
SECTION A-A**

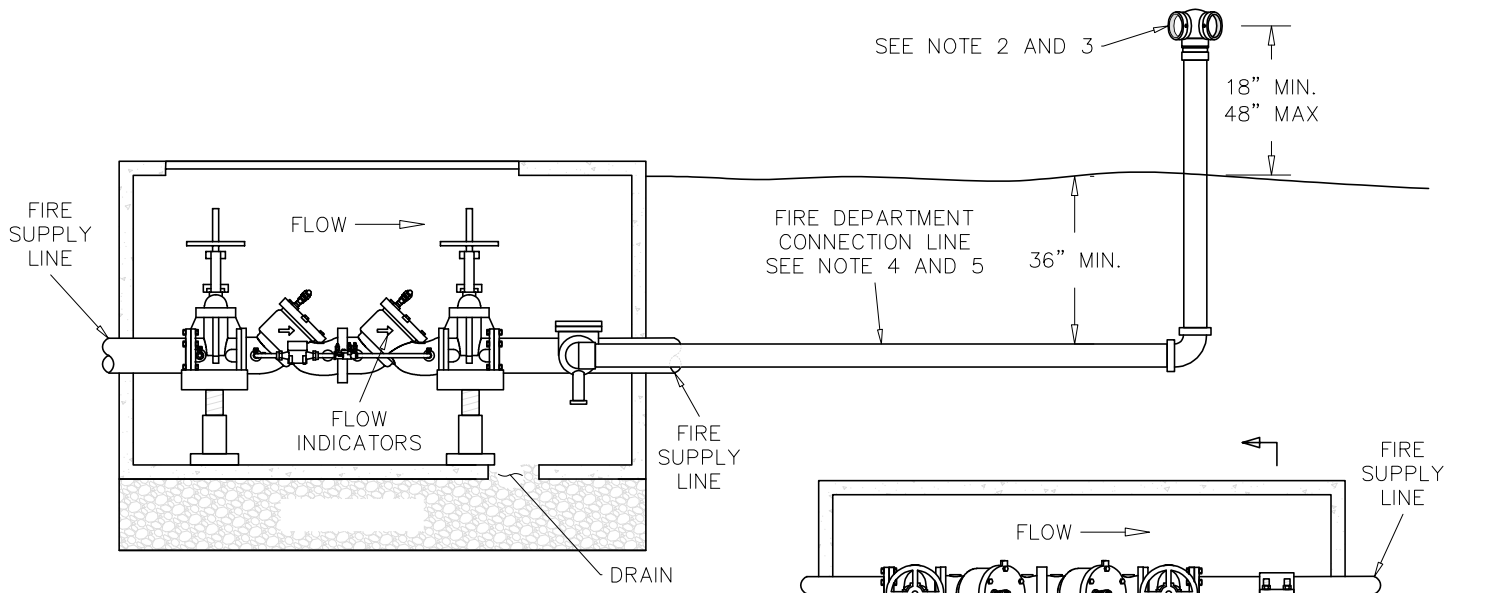
NOTES

1. FIRE SUPPLY LINE SIZE CANNOT BE LESS THAN FIRE DEPARTMENT CONNECTION LINE. TEE WILL BE USED FOR SIZE ON SIZE CONNECTION.
2. FIRE DEPARTMENT CONNECTION SHALL CONSIST OF TWO 2 1/2" CONNECTIONS USING NST INTERNAL THREADED SWIVEL FITTINGS.
3. FIRE DEPARTMENT CONNECTION MUST BE LOCATED 2' - 40' FROM CURB, AT FIRE DEPARTMENT ACCESS.
4. PIPING BETWEEN THE CHECKVALVE AND THE OUTSIDE HOSE COUPLING SHALL BE EQUIPPED WITH AN APPROVED AUTOMATIC DRIP ON THE LOWEST PORTION OF THE PIPING (TYPICAL AT CHECKVALVE).
5. THE PIPE SHALL BE SIZED IN ACCORDANCE WITH NFPA 13. PIPE AND RESTRAINT JOINTS WILL BE DUCTILE IRON AND FULLY RESTRAINED.

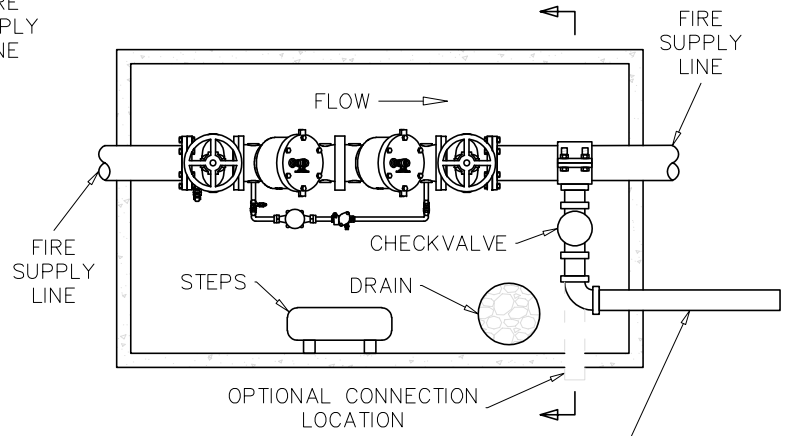
**VAULT CONNECTION
OPTION A**

SHT 1 OF 2

<p>The City of San Marcos Engineering and Capital Improvements</p>	<p>CURRENT AS OF 1/1/2023</p>	<p>FIRE DEPT. CONNECTION TYPE 1</p>	
<p>RECORDED COPY SIGNED BY LAURIE MOYER, P.E.</p>	<p>6-30-2015 <u>ADOPTED</u></p>	<p>THE ARCHITECT/ENGINEER ASSUMES RESPONSIBILITY FOR APPROPRIATE USE OF THIS STANDARD</p>	<p>900-FC1-SM N.T.S. STANDARD DETAIL</p>



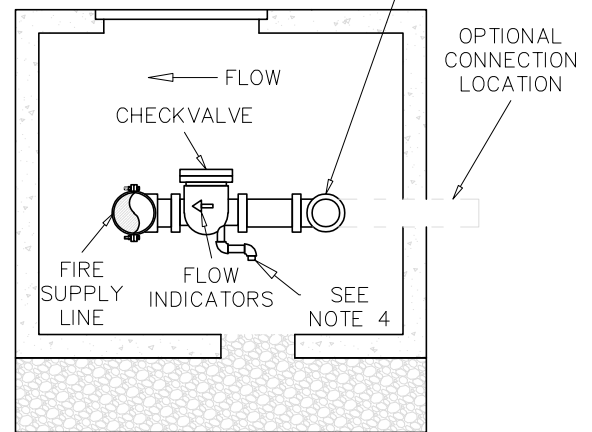
PROFILE VIEW



PLAN VIEW

NOTES

1. FIRE SUPPLY LINE SIZE CANNOT BE LESS THAN FIRE DEPARTMENT CONNECTION LINE. TEE WILL BE USED FOR SIZE ON SIZE CONNECTION.
2. FIRE DEPARTMENT CONNECTION SHALL CONSIST OF TWO 2 1/2" CONNECTIONS USING NST INTERNAL THREADED SWIVEL FITTINGS.
3. FIRE DEPARTMENT CONNECTION MUST BE LOCATED 2' - 40' FROM CURB, AT FIRE DEPARTMENT ACCESS.
4. PIPING BETWEEN THE CHECKVALVE AND THE OUTSIDE HOSE COUPLING SHALL BE EQUIPPED WITH AN APPROVED AUTOMATIC DRIP ON THE LOWEST PORTION OF THE PIPING (TYPICAL AT CHECKVALVE).
5. THE PIPE SHALL BE SIZED IN ACCORDANCE WITH NFPA 13. PIPE AND RESTRAINT JOINTS WILL BE DUCTILE IRON AND FULLY RESTRAINED.



**PROFILE VIEW
SECTION B-B**

**VAULT CONNECTION
OPTION B**

SHT 2 OF 2

<p>The City of San Marcos Engineering and Capital Improvements</p>	<p>CURRENT AS OF 1/1/2023</p>	<p>FIRE DEPT. CONNECTION TYPE 1</p>	
<p>RECORDED COPY SIGNED BY LAURIE MOYER, P.E.</p>	<p>6-30-2015 ADOPTED</p>	<p>THE ARCHITECT/ENGINEER ASSUMES RESPONSIBILITY FOR APPROPRIATE USE OF THIS STANDARD</p>	<p>900-FC1-SM N.T.S. STANDARD DETAIL</p>